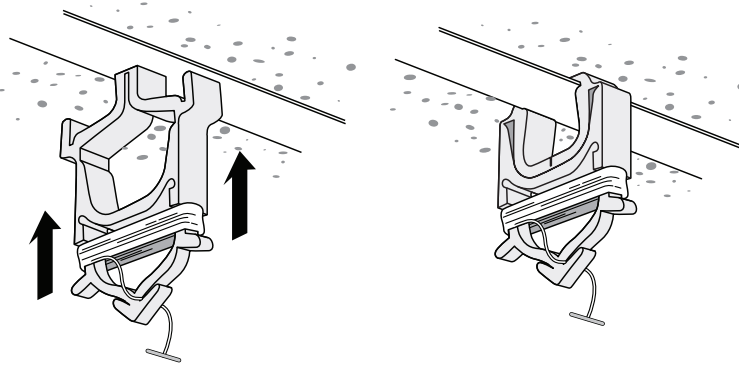


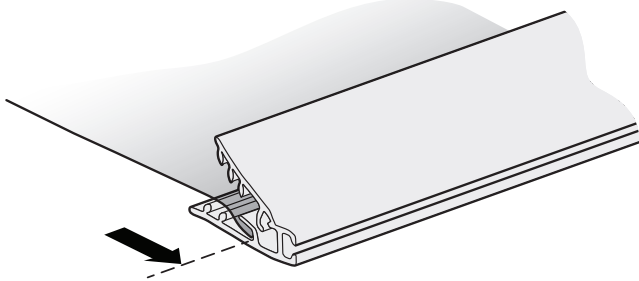
CV19SG01-KIT - CV19SG02-KIT

Sneeze Guard Safety Shield Installation Instructions

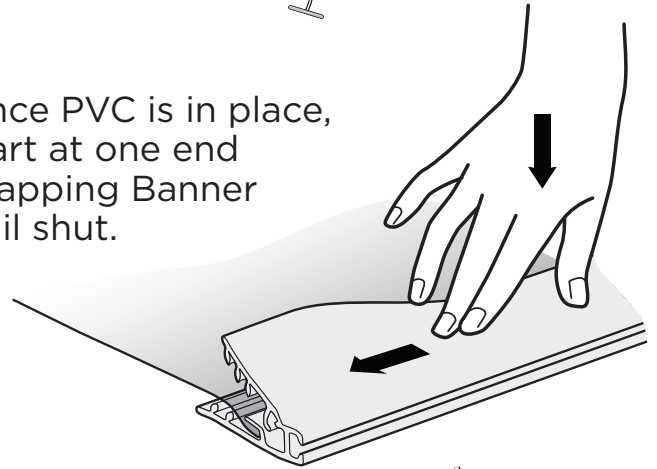
- 1** Push centre of Ceiling Clip into Ceiling T-Bar. 2 required.



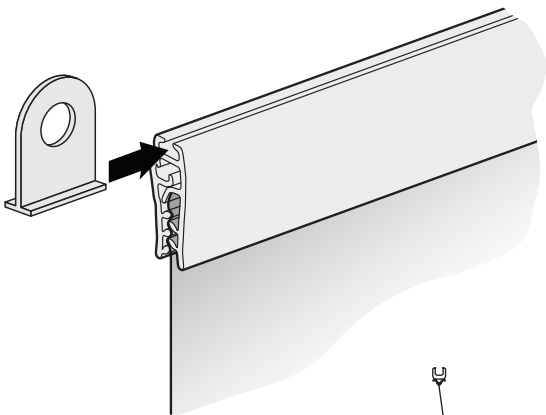
- 2** Open Banner Rail as shown and insert clear PVC Shield in as far as indicated.



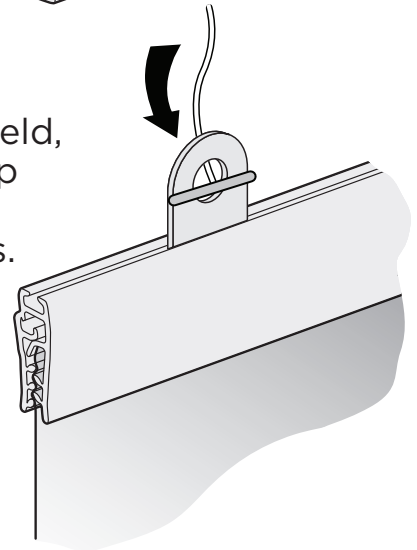
- 3** Once PVC is in place, start at one end snapping Banner Rail shut.



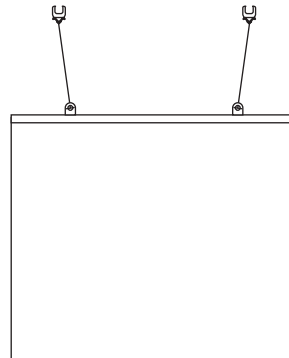
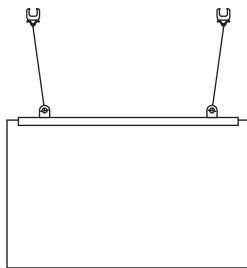
- 4** Slide Banner Rail Clip into top of Banner Rail. 2 required.



- 5** To hang PVC Shield, insert Ceiling Clip Anchors through Banner Rail Clips. 2 required



CV19SG01-KIT
- 44" wide x 26" high
- 48" string for adjustable height
- Suitable for 10' ceilings



CV19SG02-KIT
- 52" wide x 44" high
- 48" string for adjustable height
- Suitable for 10' ceilings

Shop online at: stmdisplays.com
Or call us toll free at: 1-888-846-6548

STM DISPLAY
SALES INC.